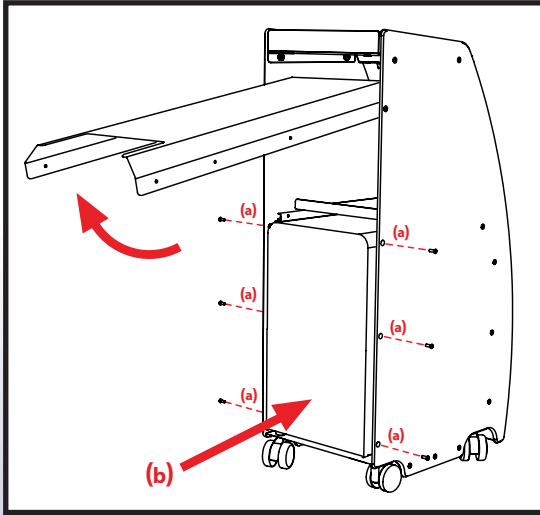


Aquacut Stand

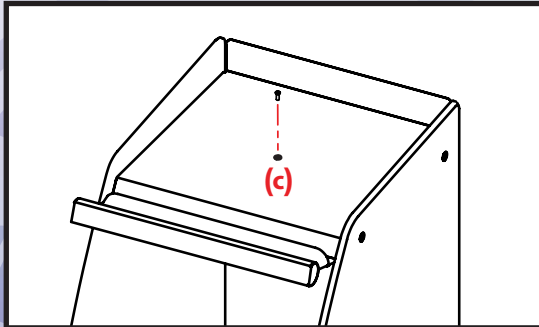


Compressor Installation:

- The Velopex compressor can be installed from the rear of the stand.
- (a) Unscrew the six screws marked (a) from each side of the rear panel, allowing it to pivot around the top screws and swing up.
- (b) Slide in the compressor, lower the panel and replace screws.

Aquacut installation:

- (c) There is a fixing location (c) in the centre of the top shelf where the Aquacut can be secured down. This is necessary to avoid the risk of it over-balancing during maintenance.



Cleaning:

- To clean, wipe over using a damp cloth.



Medivance Instruments Ltd.

Barretts Green Road, Harlesden, London NW10 7AP
Tél.: +44 (0)20 8965 2913 Fax : +44 (0)20 8963 1270