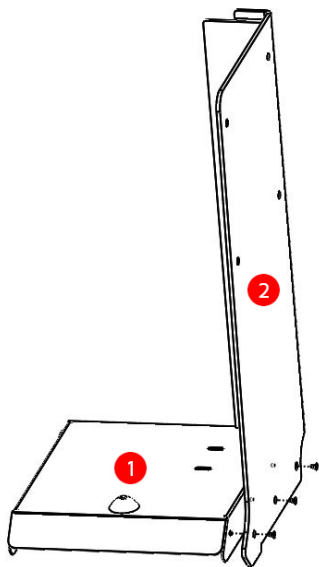


Assembly Instructions with DryAir

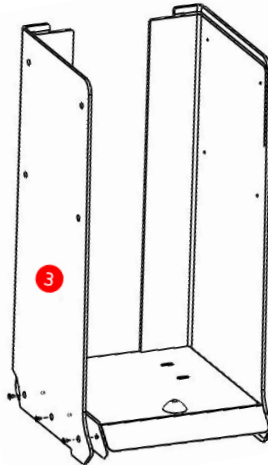
A

Place base (#1) on a flat surface, then attach panel (#2) and fix to the base.
(3 screws required)



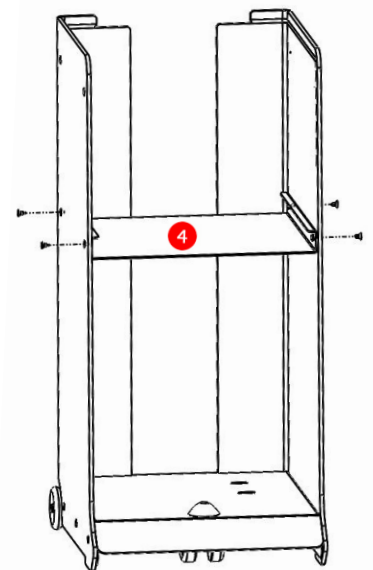
B

Attach panel (#3) to the base.
(3 screws required)



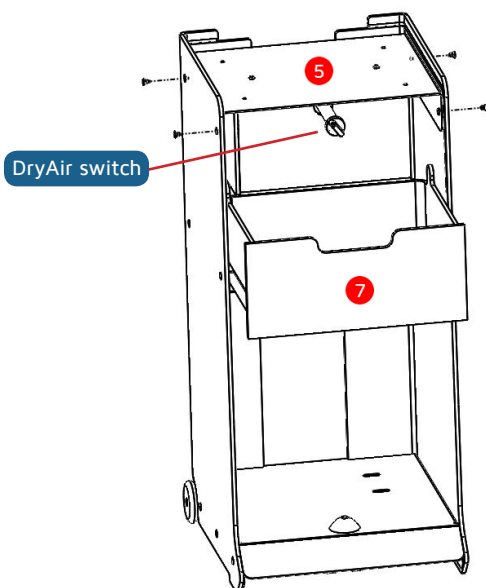
C

Secure drawer-support (#4) into position, attach to panels (#2 and #3), and slide drawer (#7) into place.
(4 screws required)



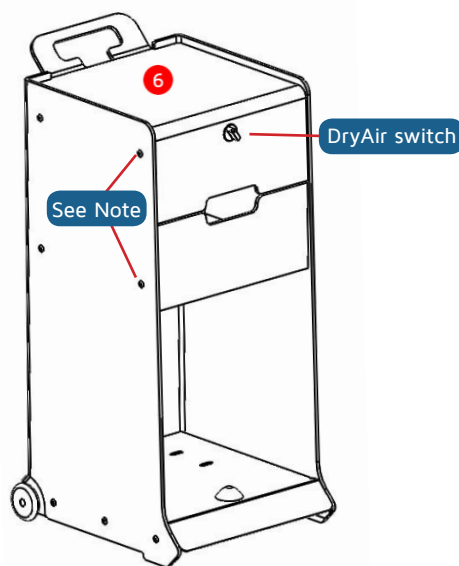
D

Attach internal top support plate (#5).
(4 screws required)



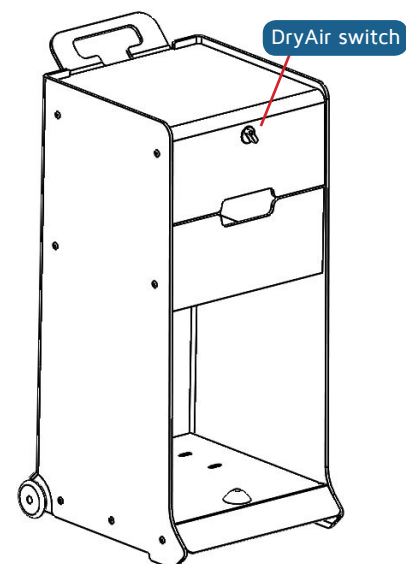
E

Align top panel (#6) into grooves in sideplates.
(See Notes below)



F

Finally tighten all screws to complete the unit.



In order to position the top panel (#6). Slacken the front screws to the top and the drawer-support (as indicated above), enabling the top panel to be located into grooves.