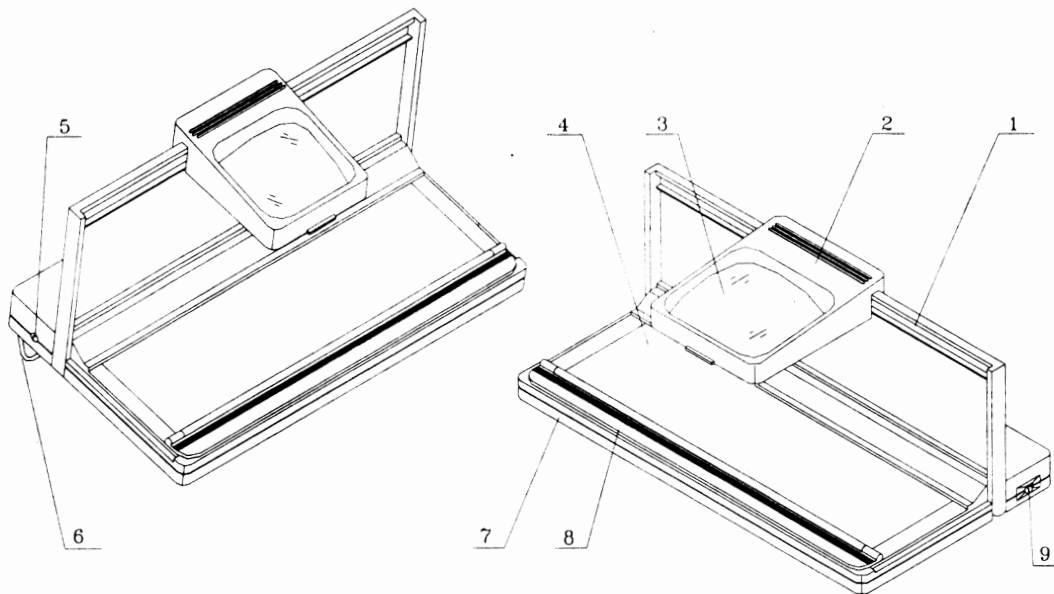


# MEDIVANCE INSTRUMENTS LIMITED

## SLIDE VIEWER WITH SLIDING MAGNIFIER

SV-5000XL

### OPERATION INSTRUCTIONS



#### Various Parts of the Slide Viewer:

- |                      |                           |
|----------------------|---------------------------|
| (1) FOLDING COVER    | (6) TILT BRACKET          |
| (2) LENS BRACKET*    | (7) BASE PLATE            |
| (3) MAGNIFYING LENS* | (8) VIEWING AREA ADJUSTER |
| (4) VIEWING SURFACE  | (9) ON/OFF SWITCH         |
| (5) POWER JACK       |                           |

\* LENS BRACKET + MAGNIFYING LENS = SLIDING MAGNIFIER

#### Battery loading:

Remove the battery compartment cover from the bottom of the slide viewer. Insert 6 pieces of "AA" size alkaline battery into the compartment, aligning the polarity correctly according to the indications. Put the battery compartment cover back to its original position. Alternatively, a DC 9V 600mA adaptor can also be used by plugging it into the Power Jack.

#### Operation:

1. Open the Folding Cover until it is at 90 degrees to the Viewing Surface.
2. Install the Sliding Magnifier by fitting the slot on its underside on to the top edge of the Folding Cover such that it is in a horizontal position and the Magnifying Lens is parallel to the Viewing Surface, like that shown in the picture above.
3. Push the On/Off switch to the "On" position to turn on the light.
4. To view a 50x50mm slide or 35mm film, fold the Viewing Surface Adjuster to the Viewing Surface side so as to cover up the excessive area on the Viewing Surface. To view a 70x70mm slide or 120 format positive, fold the Viewing Surface Adjuster to the side away from the Viewing Surface so as to expose the Viewing Surface completely.
5. Slide the Sliding Magnifier left or right to position it over the slide or film to be looked at.
6. For more comfortable viewing, swing open the tilt bracket on the bottom of the slide viewer to tilt the unit at an angle to the horizontal position.

**Caution:**

1. If the slide viewer is not to be used for a long time, remove the batteries from the battery compartment and keep the slide viewer in a dry place.
2. If the light intensity drops, replacement of batteries is required. It is advisable to replace all batteries instead of partially.
3. Clean the Magnifying Lens and the Viewing Surface with soft dry cotton cloth or lens cleaning paper.
4. The CCFL tubes contain mercury. Consult local regulations concerning treatment of hazardous wastes when disposing of the lamps.
5. Do not attempt to open or repair the unit as such work must be carried out by qualified technicians.

**Specifications:**

Power source	6x1.5V AA size Alkaline cells Or 9V 600mA AC adaptor
Magnifying power	2X
Light source	Cold Cathode Fluorescent Lamp (CCFL)
Color temperature	5000K □ 2700K
External dimensions	260x144x20 (mm)
Net weight.	630 (g)