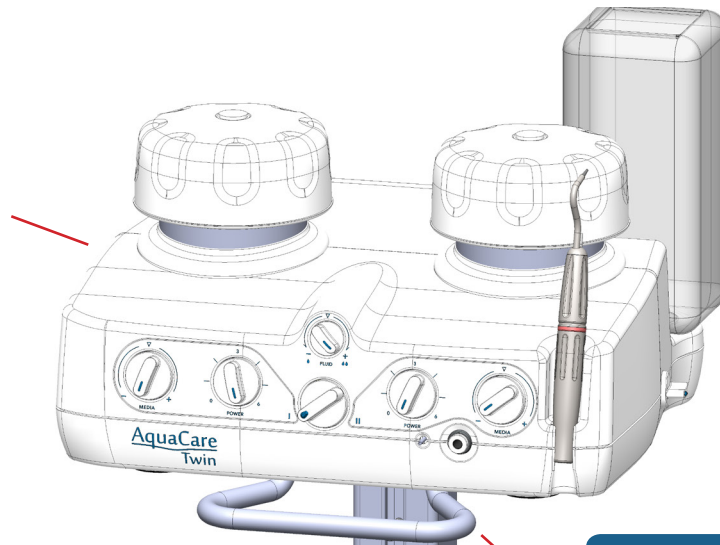


AquaCare Stand

AquaCare Stand (Non-DryAir Version) Part No: I/MAC 8513F

The AquaCare Stand has been designed to be compact, secure and mobile. The support shelf ensures the unit cannot slip when the stand is moved.

The stand enables the AquaCare unit to be moved conveniently into place when required.



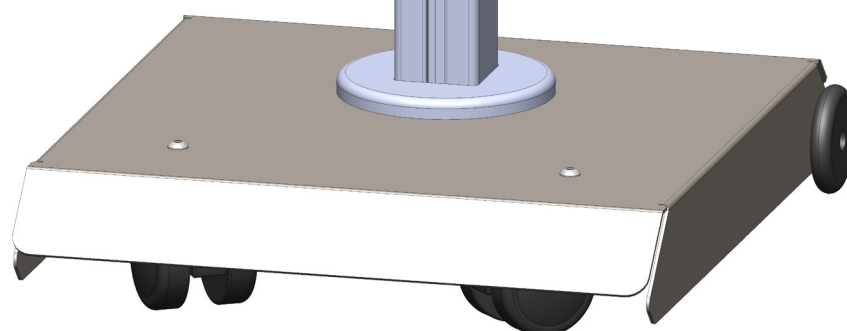
The AquaCare Stand has a handle fitted to the top shelf to allow easy grip. This ensures stable and secure movement of the stand and machine.

The AquaCare Stand is constructed using high quality, strong metal to ensure durability and stability.

The AquaCare Stand comes fitted with an air filter. It also allows the height positioning of the air filter to suit your needs.

Dimensions:
Width: 34cm
Depth: 34cm
Height of Stand
(Without Unit) : 64cm
(With Unit): 84cm
Weight: 3kg

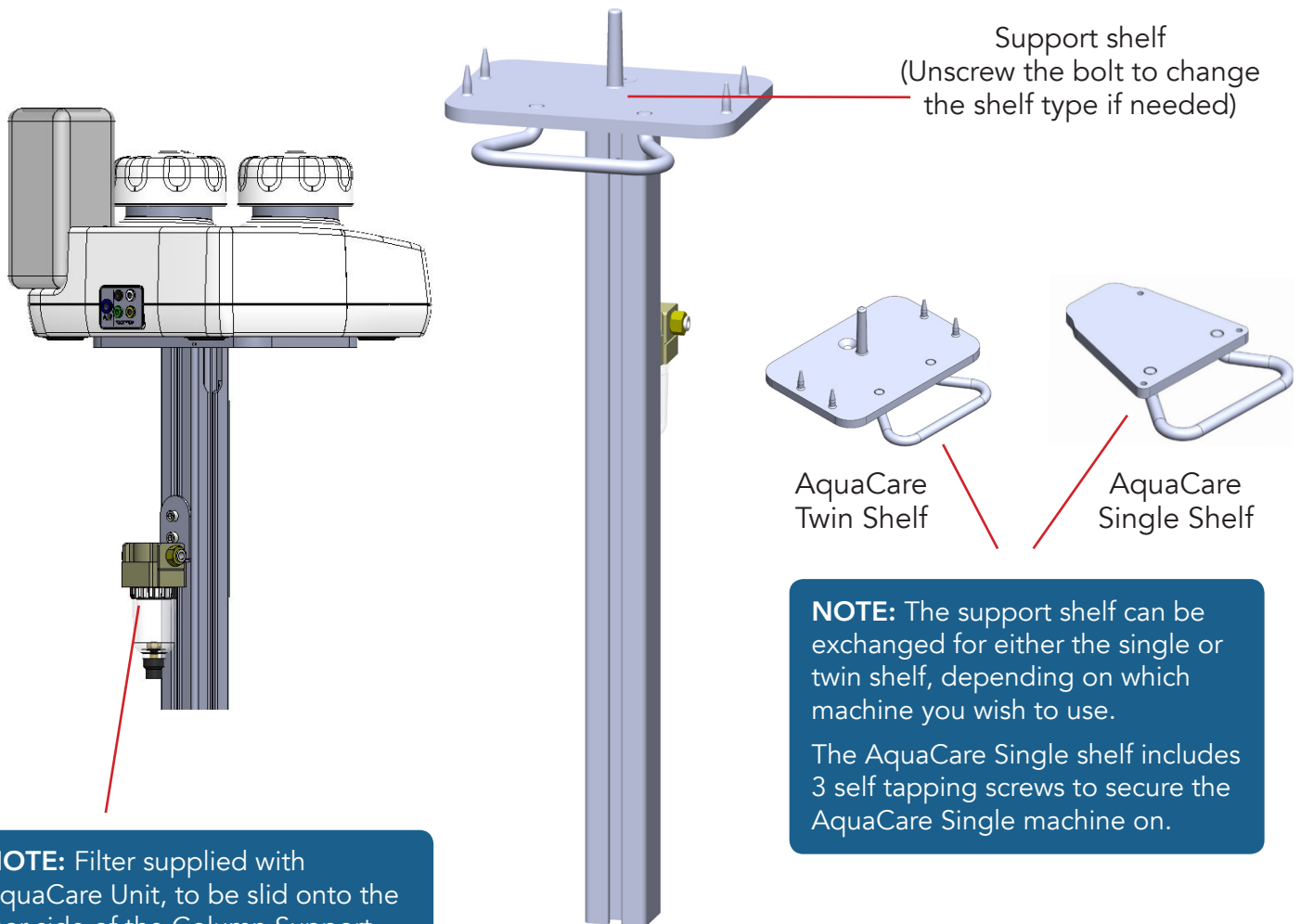
The AquaCare Stand has wheels fitted to the base to allow ease of movement during use.



Assembly Instructions Part No: I/MAC 8513F

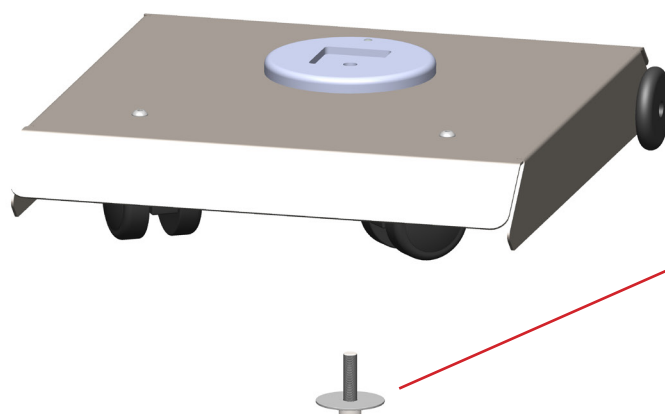
ONE NUT ASSEMBLY

The stand has been assembled except for attaching the Metal Base Assembly to the column support with 1 screw being placed through the base. Once complete, situate the AquaCare Twin machine on top of the support shelf placing it over the pins. If you have an AquaCare Single Machine, replace the support shelf for the AquaCare Twin with the AquaCare Single shelf. This is simply done by unscrewing the bolt on top and replacing it with the Single shelf. Secure the AquaCare Single using the 3 screws provided underneath the shelf to secure the machine.

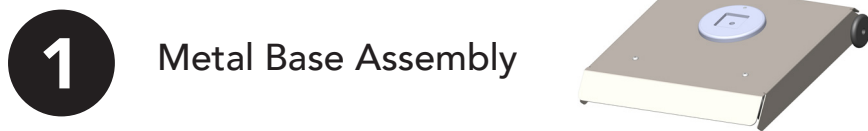


NOTE: Filter supplied with AquaCare Unit, to be slid onto the rear side of the Column Support using the T-Slot Nuts provided.

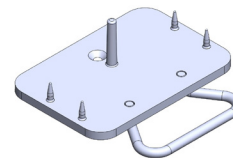
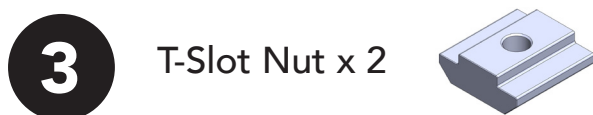
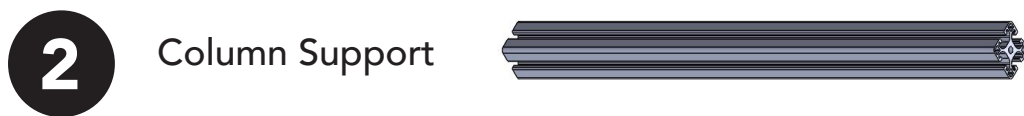
Insert the **Socket Head Bolt** and **Metal Washer** through the hole underneath **Metal Base Assembly (1)**.



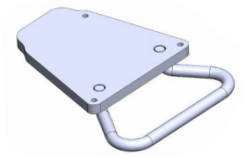
Parts List Illustration



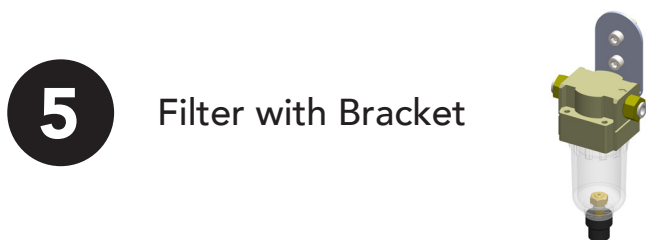
Profile View



AquaCare
Twin Shelf



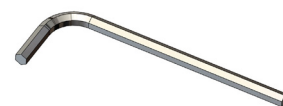
AquaCare
Single Shelf



Socket Head Screw



Metal Washer



4mm, 5mm & 6mm
Allen Keys

